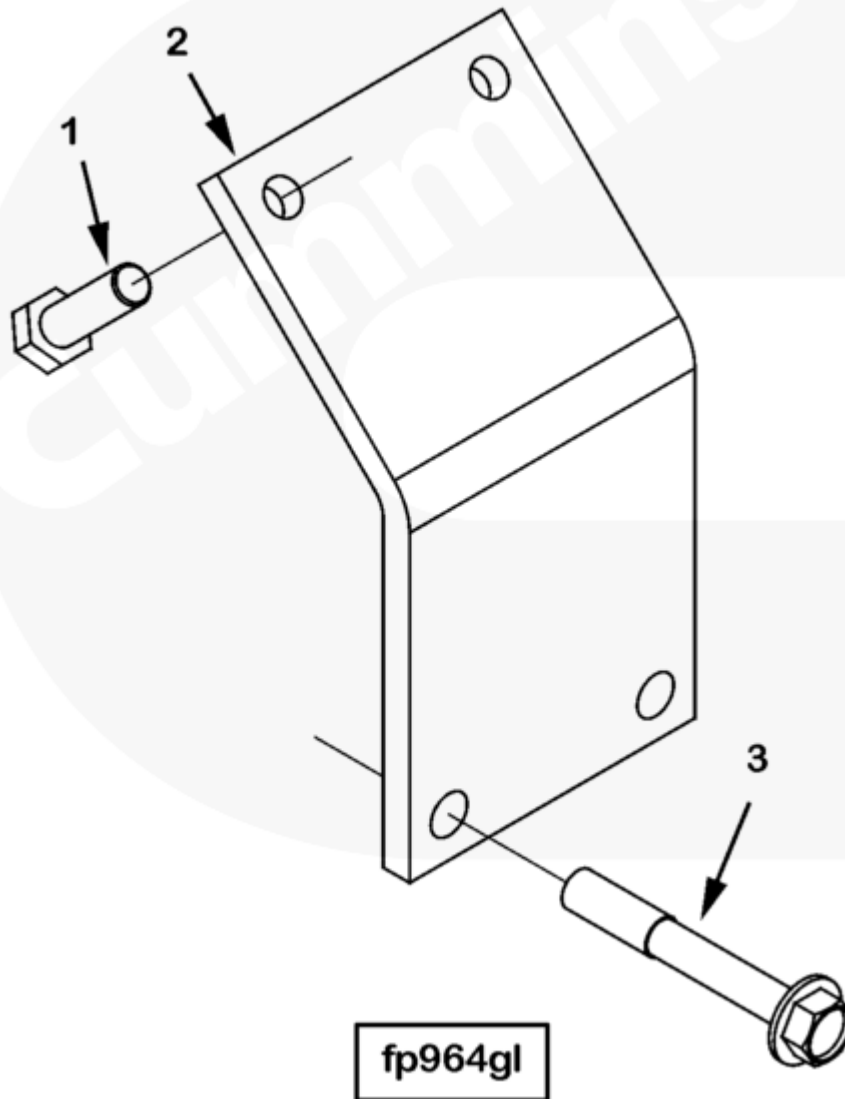




# Parts Catalog - Option Detail

| Electronic Parts Catalog - Option Detail |                                |         |           |           |
|--|--------------------------------|---------|-----------|-----------|
| Option                                   | Group                          | Graphic | Film Card | Date      |
| FP50045                                  | 05.03                          | fp964gl | P23       | 01-MAR-08 |
| <b>Engines</b>                           | QSK23 CM2250 K109, QSK23 CM500 |         |           |           |

©Cummins Inc



[SMALL](#) | [MEDIUM](#) | [LARGE](#)

| Cart                         | Ref No | Part Number             | Part Description   | Required | Remarks |
|------------------------------|--------|-------------------------|--------------------|----------|---------|
| <a href="#">View My Cart</a> |        |                         |                    |          |         |
|                              |        | <a href="#">FP50045</a> | Fuel Pump Mounting |          |         |

|                          |   |                         |                               |   |  |
|--------------------------|---|-------------------------|-------------------------------|---|--|
|                          | 1 | <a href="#">3094817</a> | Hexagon Flange Head Cap Screw | 2 |  |
| <input type="checkbox"/> | 2 | <a href="#">4095604</a> | Pump Bracket                  | 1 |  |
| <input type="checkbox"/> | 3 | <a href="#">4096231</a> | Hexagon Flange Head Cap Screw | 2 |  |

© 2019 Cummins Inc., Box 3005, Columbus, IN 47202-3005 U.S.A.  
 Terms of Use and Disclaimers | Recommended System Requirements  
 Need Assistance? Please click on the Contact Us button in the top right corner of any page.